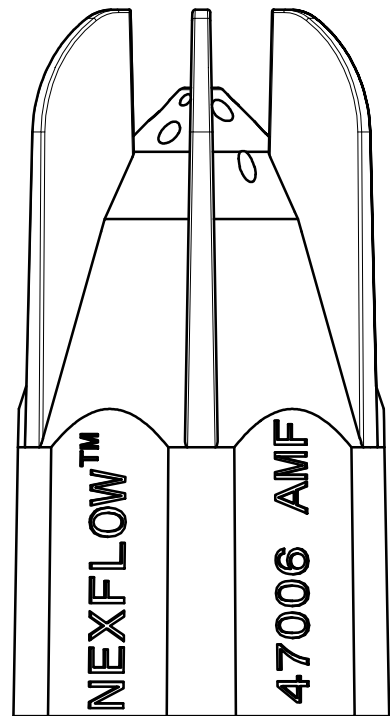
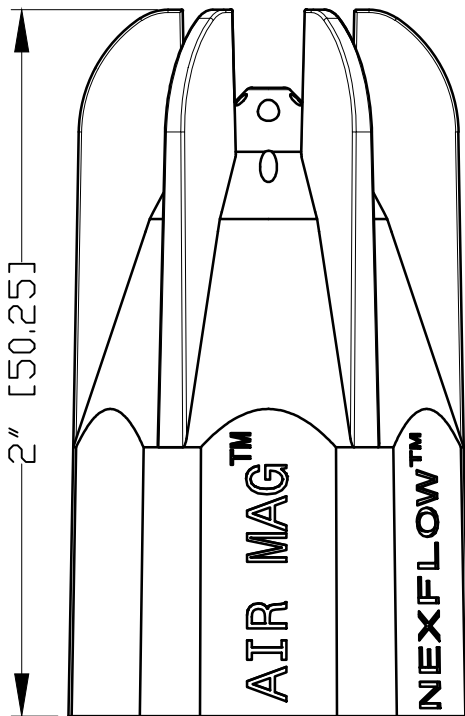
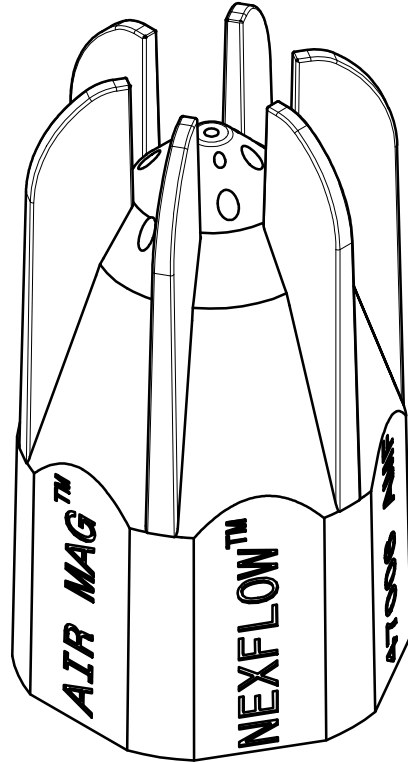
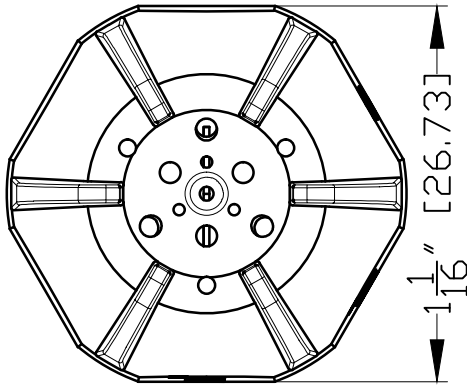


NOTES:

- 1 ALL DIMENSIONS SHOWN ARE IN inches (mm)
- 2 ALL DIMENSIONS SHOWN ARE FINISH OPERATIONAL DIMENSIONS WHICH INCLUDE RESIDUAL COATINGS UNLESS OTHERWISE SPECIFIED.
- 3 PART TO BE FLAT PACKED PROPERLY TO AVOID ANY DAMAGE WHILE SHIPPING & HANDLING.
- 4 ALL HORIZONTAL DIMENSIONS ARE SYMMETRICAL ABOUT VERTICAL CENTER LINE UNLESS OTHERWISE SPECIFIED.



1/2" NPT / BSP (F) INLET

THIRD ANGLE PROJECTION		REQUIREMENTS—UNLESS OTHERWISE SPECIFIED		CONTRACT NUMBER —		NEX FLOW AIR PRODUCTS CORP.				
		GENERAL		CLIENT —	CONTRACTOR —	10520 YONGE STREET, UNIT 35B-220, RICHMOND HILL, ON L4C 3C7				
MATERIAL	CAST ZINC	1. DIMS ARE IN INCHES (MM)		DRAWN CHIRAG.S	DATE 01/01/2016	TITLE				
		2. DIMENSIONING AND TOLERANCING IN ACCORDANCE WITH ANSI Y14.5 (1982)		DESIGN —	CHECKED ASHISH	1/2"				
FINISH	—	3. MACHINE FINISH 125 MICRO INCH RMS		PROJECT —	G.A. —	AIR MAG™ NOZZLE				
		4. INTERNAL RADII .015		STRESS —	MANUFACTURING —	SIZE —	CAGE CODE —	PART NAME	RELEASE	REV
		5. BREAK SHARP CORNERS .005 TO .015		MECHANISM —	ELECTRICAL —	SCALE 1:1	CAD NO	SHEET 1 OF 1		
		LIMITS				47006 AMF				
		1. LINEAR DIMS.								
		.XX = .005								
		.XX = .010								
		.X = .030								
		2. ANGLES = ± 1/2°								
		3. RUNOUT .010 TIR								
		4. HOLES IN ACCORDANCE WITH AND 10387								